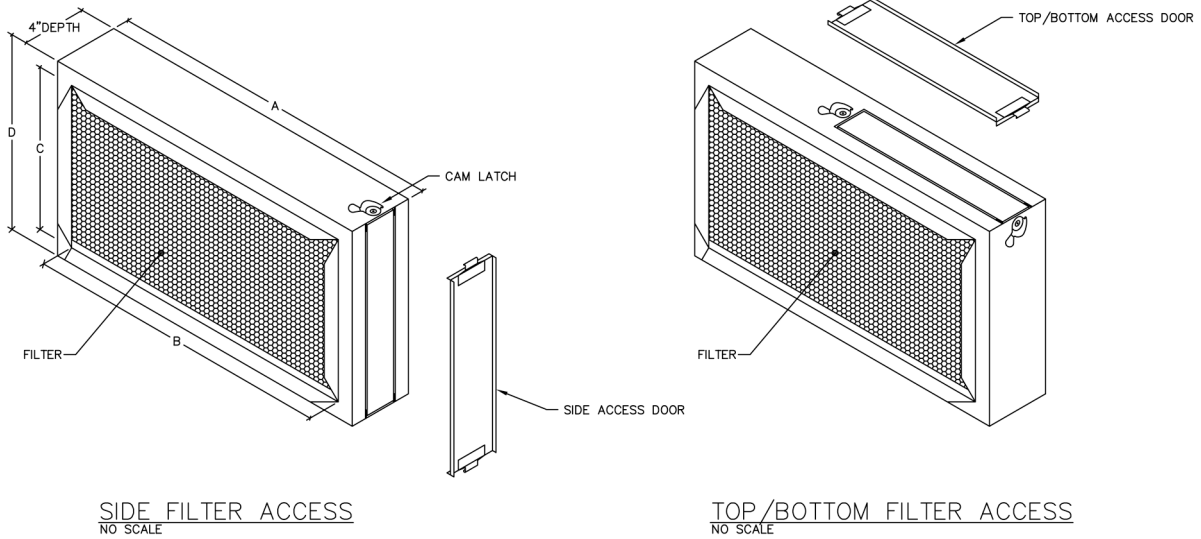


# Submittal Data

## Model DFKS Slimline Filter Kit by Buckley



### Application and Design

The model DFKS filter kit is a high efficiency MERV 8/13 filter box designed for bolt-on installation to Daikin FXSQ\_TAVJU or FXMQ\_TAVJU series indoor units. The slim cabinet design features a tool-less access door to simplify the removal and replacement of the filters.

### Standard Construction

- 18 Gauge Galvanized Steel
- Removable Media Door w/ CAM Latches
- Accomodates 1, 2 or 4 inch filters

### Options

- MERV8 or MERV13 Filters
- Side, Top/Bottom Access

### Models Available

Qty	Model	Compatible with Daikin Models	Dimensional Data				Filter Media*		Filter		
			A	B	C	D	Qty	Filter Size	Access	Type	Width
	DFKS-21	FXSQ05TAVJU FXSQ07TAVJU FXSQ09TAVJU FXSQ12TAVJU	21.625	19.75	8.1875	10	1	21.375 x 9½			
	DFKS-27	FXSQ15TAVJU	27.5625	25.6875	8.1875	10	1	27.4 x 9½			
	DFKS-39	FXSQ18TAVJU FXSQ24TAVJU FXSQ30TAVJU FXMQ15PBVJU FXMQ18PBVJU FXMQ24PBVJU	39.375	37.5	8.1875	10	1	39.125 x 9½			
	DFKS-55	FXSQ36TAVJU FXSQ48TAVJU FXMQ30PBVJU FXMQ36PBVJU FXMQ48PBVJU	55.125	53.25	8.1875	10	2	27.4 x 9½			
	DFKS-61	FXSQ54TAVJU FXMQ54PBVJU	61.0	59.125	8.1875	10	2	30.25 x 9½			

All dimensions are in inches.

*Buckley Associates, Inc.*

Manufactured by Buckley Associates, Inc, Hanover, Massachusetts  
Sheet Metal Union Local 17.

DFKS  
May 2024

